

# Silt Fence™ 1000/1500

High strength silt fence



## BENEFITS

**SF1000** A very robust economical fencing fabric for use in highway projects. It is specially constructed from ultraviolet stabilised black polypropylene yarns, to resist degradation.

**SF1500** An extremely robust premium quality silt fencing specially designed to allow the free passage of water through a purpose constructed band. It is constructed from ultraviolet stabilised green and black yarns to resist degradation.

## CONSTRUCTION

- Constructed at the downstream boundary fence.
- Immediately downstream of soil stockpiles.
- Immediately upstream of grass buffer zones.
- On contours for progressive filtering.

## MAINTENANCE

- Regular inspections after storms.
- Removal of excessive silt deposits.

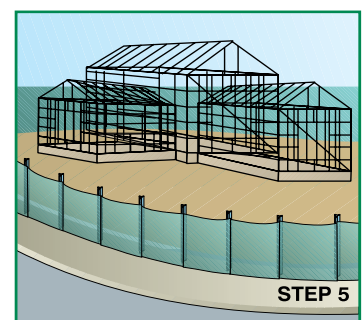
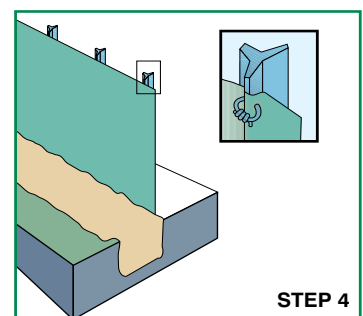
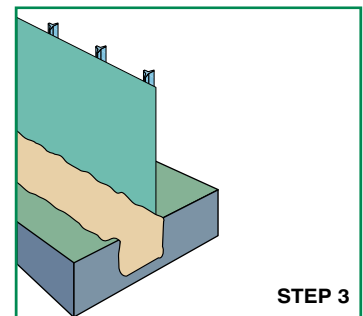
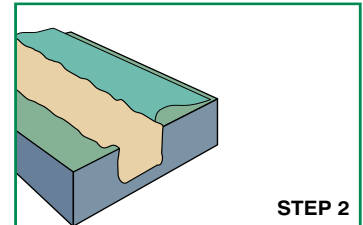
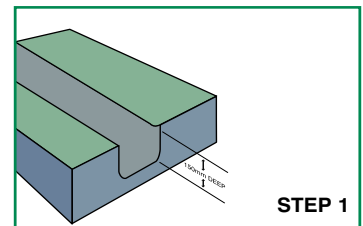
## INSTALLATION

**Step 1** Excavate 150 mm deep trench on the upstream side of the silt fence.

**Step 2** Bury the bottom flap in trench and backfill with soil, compacting to ensure anchorage.

**Step 3-4** Drive support posts into ground until sufficient resistance is achieved at maximum 3 metre centres. Position **Silt Fence™ 1000/1500** against support posts and tension. Attach using galvanised staples.

**Step 5** Regular inspection of **Silt Fence™ 1000/1500** (especially after rainfall) and the removal of excessive silt deposits assists the prevention of long-term soil erosion.



Properties	Test Method	Units	Product Code		
			SF1000	910	SF1500
Material			Green Woven Polypropylene		Green/Black Polypropylene
Pore Size (EOS-O <sub>95</sub> )	AS3706.7	µm	940		230/940
Flow Rate Under 100mm Head	AS3706.9	l/m <sup>2</sup> /s	91		23/91
Wide Strip Tensile Strength	AS3706.2	kN/m	11.5		21.3
Width	-	mm	860	910	860
Length	-	m	100	50	50

### IMPORTANT NOTICE - DISCLAIMER

The information contained in this brochure is general in nature. In particular the content of this brochure does not take account of specific conditions that may be present at your site. Site conditions may alter the performance and longevity of the product and in extreme cases may make the product wholly unsuitable. Actual dimensions and performance may vary. If your project requires accuracy to a certain specified tolerance level you must advise us before ordering the product from us. We can then advise whether the product will meet the required tolerances. Where provided, installation instructions cover installation of product in site conditions that are conducive to its use and optimum performance. If you have any doubts as to the installation instructions or their application to your site, please contact us for clarification before commencing installation. This brochure should not be used for construction purposes and in all cases we recommend that advice be obtained from a suitably qualified consulting engineer or industry specialist before proceeding with installation. © Copyright held by Geofabrics Australasia Pty Ltd. All rights are reserved and no part of this publication may be copied without prior permission.

**MELBOURNE**  
(03) 8586 9111  
Fax: (03) 8586 9186

**SYDNEY**  
(02) 9821 3277  
Fax: (02) 9821 3670

**NEWCASTLE**  
(02) 4950 5845  
Fax: (02) 4950 5895

**COFFS HARBOUR**  
(02) 6653 5706  
Fax: (02) 6653 5706

**PERTH**  
(08) 9249 5411  
Fax: (08) 9249 5447

**ADELAIDE**  
(08) 8177 2055  
Fax: (08) 8177 2044

**HOBART**  
(03) 6273 0511  
Fax: (03) 6273 0686

**BRISBANE**  
(07) 3279 1588  
Fax: (07) 3279 1589

**TOWNSVILLE**  
(07) 4774 8222  
Fax: (07) 4774 8655

**BUNDABERG**  
(07) 4155 9968  
Fax: (07) 4155 9968

**GOLD COAST**  
(07) 5594 8600  
Fax: (07) 5563 3727

**DARWIN**  
(08) 8984 1600  
Fax: (08) 8984 1614