

+ Specifications

+ Performance Metrics

+ Environmental Impact

+ Compatibility

+ Build Qualities

AQUAROCKBAG®

Precision and Performance with AquaRockBag®: Comprehensive Technical Data Sheets

Welcome to the technical realm of **AquaRockBag®**. This collection of Data Sheets, meticulously prepared by our engineering team at Garware in India, offers a detailed exploration of **AquaRockBag®** for engineers, designers, and contractors. Serving as an indispensable tool, these sheets provide a comprehensive understanding of the unique qualities, applications, and performance of **AquaRockBag®** in various construction and environmental scenarios.

Crafted for the discerning professional, this collection details the distinct product variants of **AquaRockBag®**, each designed to meet specific environmental and structural challenges. The Material Specifications section offers an in-depth look at the robust and environmentally responsible materials used, reflecting our commitment to sustainable solutions.

Practical Application Guidelines are included to assist in the optimal installation and use of **AquaRockBag®**, ensuring its effectiveness and durability in diverse settings. The Performance Data section presents empirical evidence of **AquaRockBag®**'s efficacy in erosion control and water management, backed by rigorous testing and real-world applications.

Furthermore, the Environmental Impact analysis highlights **AquaRockBag®**'s role in ecological conservation, aligning with the growing need for environmentally sensitive construction practices.

Dive into these Data Sheets to gain a thorough understanding of **AquaRockBag®**. Each page is filled with critical insights and technical data, illustrating why **AquaRockBag®** is a preferred choice for professionals seeking reliable, innovative, and eco-friendly erosion control solutions.

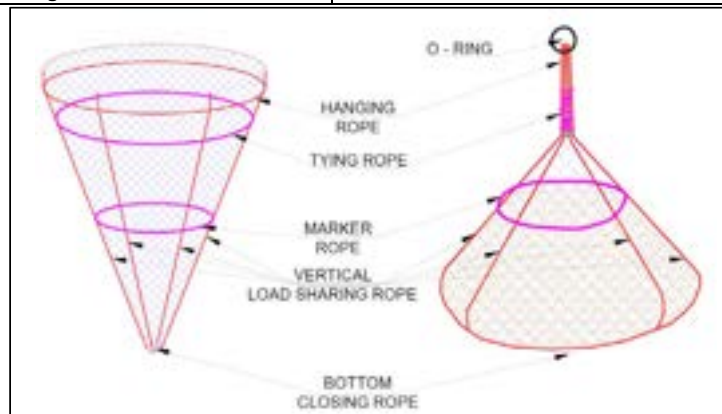
PRODUCTS

Range	Weight Capacity	Net
Classic	1T - 2T - 4T - 8T	Virgin Polyester
Prime	1T - 2T - 4T - 8T	Virgin HDPE
Max	12T - 14T	Virgin HDPE



AquaRockBag-1T PET Data Sheet

Specifications	Filled Dimensions	1.5 m (D) x 0.35 m (H)
	Form	Bag Form with Double Layer Net
	Net Material	Virgin PET (Green)
	Net Composition	1000 D x 18 ply knotless
	Mesh Size	25 mm square mesh
	Hanging Rope	10 mm Polyester Twisted 3Strand Black Rope
	Tying Rope	6 mm Polyester Twisted 3Strand Black Rope
	Marker Rope	12 x 3 PPMF White Twine
	Vertical Load Sharing Rope	6 mm Polyester Twisted 3Strand Black Rope
	Bottom Closing Rope	10 mm Polyester Twisted 3Strand Black Rope
Strength Characteristics	Net	Tensile Strength: As per EN ISO 10319 MD: >25 kN/m CMD: >8.5 kN/m Elongation: As per EN ISO 10319 / ASTM D4595 MD and CMD: >15 % and >75% respectively
	Hanging Rope	10 mm Polyester Twisted 3Strand Black Rope Tensile Strength: > 14.4 kN Elongation: > 10 %
	Tying Rope	6 mm Polyester Twisted 3Strand Black Rope Tensile Strength: > 5.4 kN Elongation: > 10 %
	Vertical Load Sharing Rope	6 mm Polyester Twisted 3Strand Black Rope Tensile Strength: > 5.4 kN Elongation: > 10 %
	Bottom Closing Rope	10 mm Polyester Twisted 3Strand Black Rope Tensile Strength: > 14.4 kN Elongation: > 10 %
	O-Ring	Working Load: 9.8 kN Breaking Strength: >39.2 kN
Filling	Fill Aggregates	Rounded to Sub-Rounded Cobbles, Pebbles and Boulders (50 mm – 180 mm)
	Volume	0.65 m ³
	Weight	1.0 T



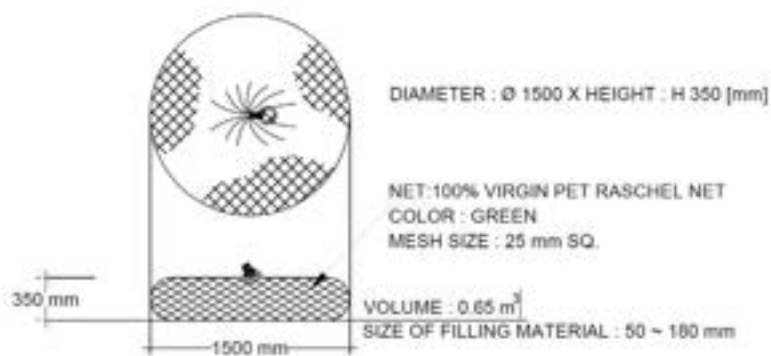


GENERAL STRUCTURE

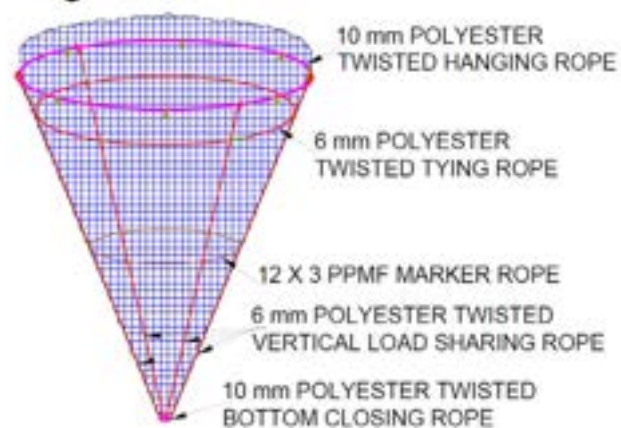
Type	:	1 Ton
Material	:	100% Virgin PET
Net	:	Raschel Net / 25 mm Square Mesh
Tensile Strength	:	As per EN ISO 10319 / ASTM D4595
(Single Net)		MD: >25 kN/m
		CMD: >8.5 kN/m
Colour	:	Green
Filling Material	:	50 – 180 mm in Diameter

AquaRockBag 1T PET

Dimensions of Filled AquaRockBag :



Structure Before Stone Filling

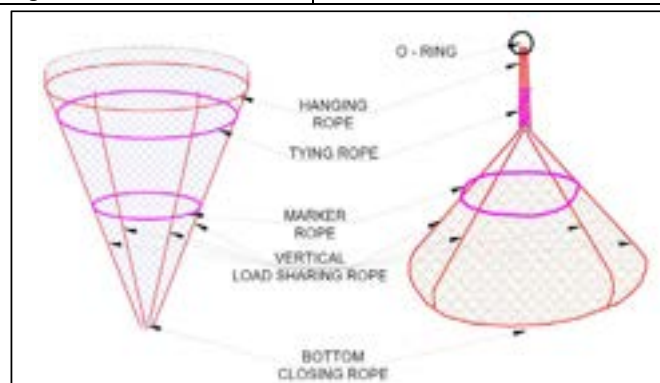


GTFL ARB/PET /Issue: 1/Rev. 01/DEC 2023



AquaRockBag-2T PET Data Sheet

Specifications	Filled Dimensions	1.9 m (D) x 0.5 m (H)
	Form	Bag Form with Double Layer Net
	Net Material	Virgin PET (Green)
	Net Composition	1000 D x 18 ply knotless
	Mesh Size	25 mm square mesh
	Hanging Rope	10 mm Polyester Twisted 3Strand Black Rope
	Tying Rope	6 mm Polyester Twisted 3Strand Black Rope
	Marker Rope	12 x 3 PPMF White Twine
	Vertical Load Sharing Rope	6 mm Polyester Twisted 3Strand Black Rope
	Bottom Closing Rope	10 mm Polyester Twisted 3Strand Black Rope
Strength Characteristics	Net	Tensile Strength: As per EN ISO 10319 / ASTM D4595 MD: >25 kN/m CMD: >8.5 kN/m Elongation: As per EN ISO 10319 / ASTM D4595 MD and CMD: >15 % and >75% respectively
	Hanging Rope	10 mm Polyester Twisted 3Strand Black Rope Tensile Strength: > 14.4 kN Elongation: > 10 %
	Tying Rope	6 mm Polyester Twisted 3Strand Black Rope Tensile Strength: > 5.4 kN Elongation: > 10 %
	Vertical Load Sharing Rope	6 mm Polyester Twisted 3Strand Black Rope Tensile Strength: > 5.4 kN Elongation: > 10 %
	Bottom Closing Rope	10 mm Polyester Twisted 3Strand Black Rope Tensile Strength: > 14.4 kN Elongation: > 10 %
	O-Ring	Working Load: 19.6 kN Breaking Strength: >78.4 kN
Filling	Fill Aggregates	Rounded to Sub-Rounded Cobbles, Pebbles and Boulders (50 mm – 180 mm)
	Volume	1.25 m ³
	Weight	2.0 T



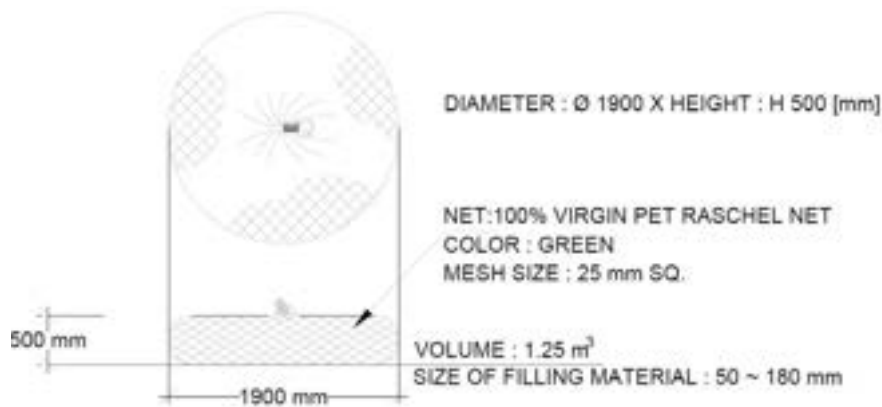


GENERAL STRUCTURE

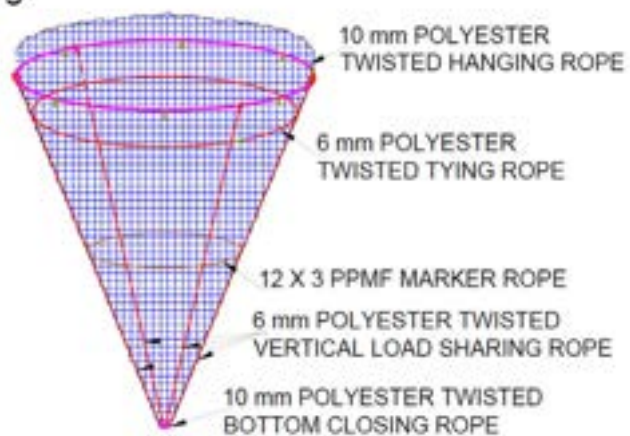
Type	:	2 Tons
Material	:	100% Virgin PET
Net	:	Raschel Net/ 25 mm Square Mesh
Tensile Strength	:	As per EN ISO 10319 / ASTM D4595
(Single Net)	:	MD: >25 kN/m CMD: >8.5 kN/m
Colour	:	Green
Filling Material	:	50 – 180 mm in Diameter

AquaRockBag 2T PET

Dimensions of Filled AquaRockBag :



Structure Before Stone Filling

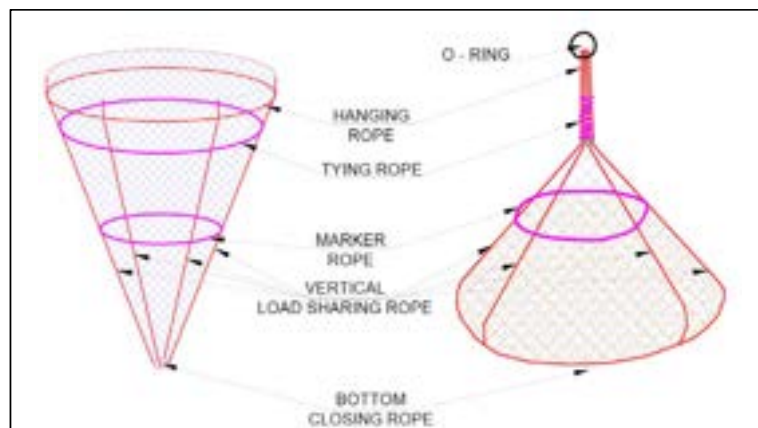


GTFL ARB/PET /Issue: 1/Rev. 01/DEC 2023



AquaRockBag-4T PET Data Sheet

Specifications	Filled Dimensions	2.3 m (D) x 0.62 m (H)
	Form	Bag Form with Double Layer Net
	Net Material	Virgin PET (Green)
	Net Composition	1000 D x 26 ply knotless
	Mesh Size	25 mm square mesh
	Hanging Rope	12 mm Polyester Twisted 3Strand Black Rope
	Tying Rope	6 mm Polyester Twisted 3Strand Black Rope
	Marker Rope	12 x 3 PPMF White Twine
	Vertical Load Sharing Rope	6 mm Polyester Twisted 3Strand Black Rope
	Bottom Closing Rope	10 mm Polyester Twisted 3Strand Black Rope
Strength Characteristics	Net	Tensile Strength: As per EN ISO 10319 / ASTM D4595 MD: >35 kN/m CMD: >15 kN/m Elongation: As per EN ISO 10319 / ASTM D4595 MD and CMD: >15% and >75% respectively
	Hanging Rope	12 mm Polyester Twisted 3Strand Black Rope Tensile Strength: > 20.2 kN Elongation: > 10 %
	Tying Rope	6 mm Polyester Twisted 3Strand Black Rope Tensile Strength: > 5.4 kN Elongation: > 10 %
	Vertical Load Sharing Rope	6 mm Polyester Twisted 3Strand Black Rope Tensile Strength: > 5.4 kN Elongation: > 10 %
	Bottom Closing Rope	10 mm Polyester Twisted 3Strand Black Rope Tensile Strength: > 14.4 kN Elongation: > 10 %
	O-Ring	Working Load: 39.2 kN Breaking Strength: >156.8 kN
Filling	Fill Aggregates	Rounded to Sub-Rounded Cobbles, Pebbles and Boulders (50 mm – 180 mm)
	Volume	2.58 m ³
	Weight	4.0 T



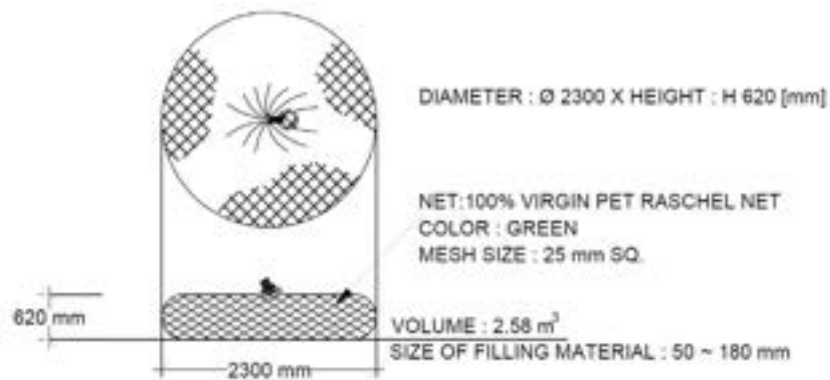


GENERAL STRUCTURE

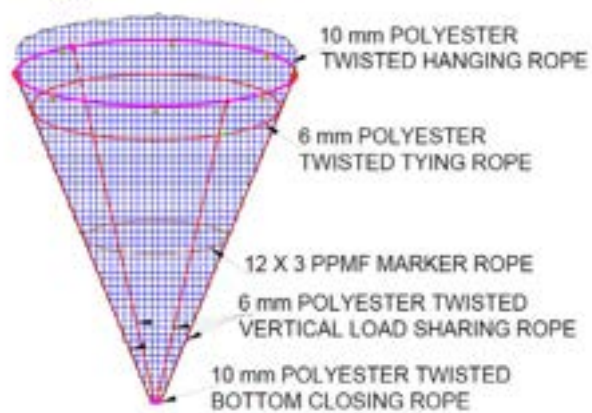
Type	:	4 Tons
Material	:	100% Virgin PET
Net	:	Raschel Net/ 25 mm Square Mesh
Tensile Strength	:	As per EN ISO 10319 / ASTM D4595
(Single Net)		MD: >35 kN/m
		CMD: >15 kN/m
Colour	:	Green
Filling Material	:	50 – 180 mm in Diameter

AquaRockBag 4T PET

Dimensions of Filled AquaRockBag :



Structure Before Stone Filling

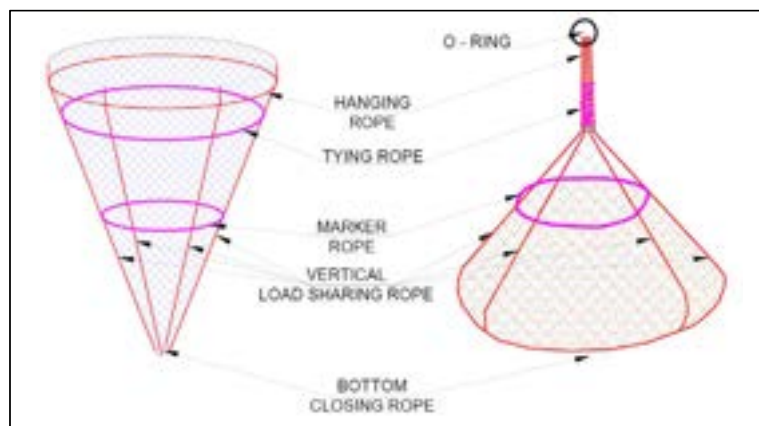


GTFL ARB/PET /Issue: 1/Rev. 01/DEC 2023



AquaRockBag-8T PET Data Sheet

Specifications	Filled Dimensions	3.2 m (D) x 0.83 m (H)
	Form	Bag Form with Quadruple Layer Net
	Net Material	Virgin PET (Green)
	Net Composition	1000 D x 36 ply knotless
	Mesh Size	50 mm square mesh
	Hanging Rope	14 mm X2 Ultra 3Strand Twisted Rope
	Tying Rope	10 mm X2 Ultra 3Strand Twisted Rope
	Marker Rope	12 x 3 PPMF Twine
	Vertical Load Sharing Rope	10 mm X2 Ultra 3Strand Twisted Rope
	Bottom Closing Rope	14 mm X2 Ultra 3Strand Twisted Rope
Strength Characteristics	Net	Tensile Strength: As per EN ISO 10319 / ASTM D4595 MD: >38 kN/m CMD: >20 kN/m Elongation: As per EN ISO 10319 / ASTM D4595 MD and CMD: >15% and >75% respectively
	Hanging Rope	14 mm X2 Ultra 3Strand Twisted Rope Tensile Strength: > 35 kN Elongation: > 10 %
	Tying Rope	10 mm X2 Ultra 3Strand Twisted Rope Tensile Strength: > 18 kN Elongation: > 10 %
	Vertical Load Sharing Rope	10 mm X2 Ultra 3Strand Twisted Rope Tensile Strength: > 18 kN Elongation: > 10 %
	Bottom Closing Rope	14 mm X2 Ultra 3Strand Twisted Rope Tensile Strength: > 35 kN Elongation: > 10 %
	O-Ring	Working Load: 78.4 kN Breaking Strength: >285.5 kN
Filling	Fill Aggregates	Rounded to Sub-Rounded Cobbles, Pebbles and Boulders (50 mm – 180 mm)
	Volume	5.00 m ³
	Weight	8.0 T



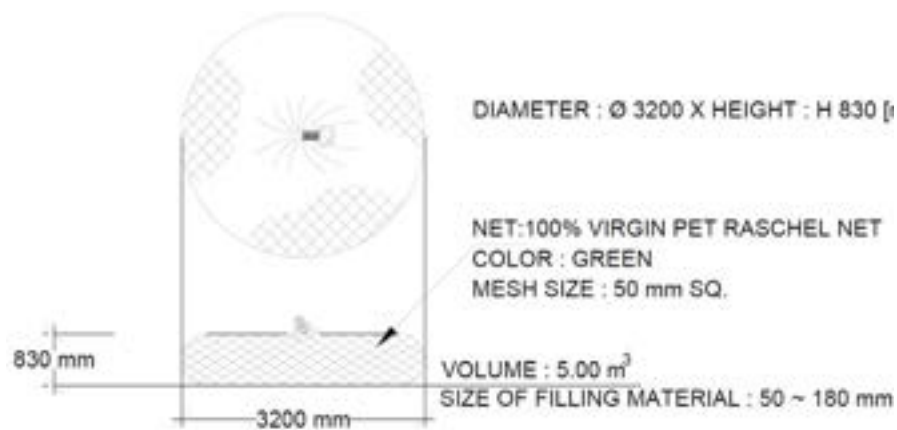


GENERAL STRUCTURE

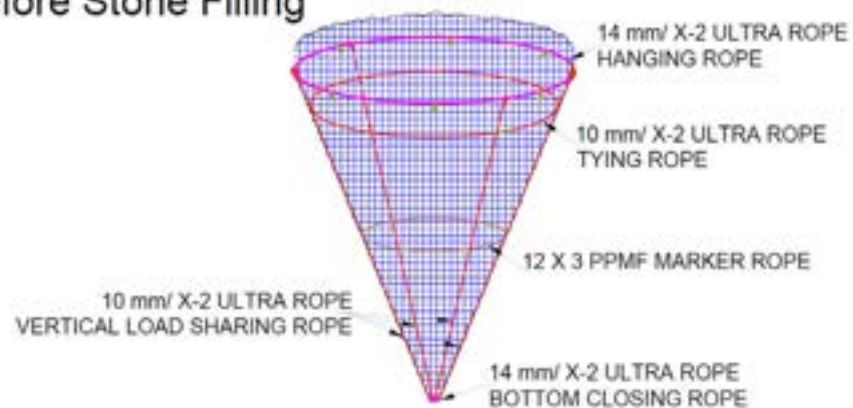
Type	:	8 Tons
Material	:	100% Virgin PET
Net	:	Raschel Net/ 50 mm Square Mesh
Tensile Strength	:	As per EN ISO 10319 / ASTM D4595
(Single Net)		MD: >38 kN/m
		CMD: >20 kN/m
Colour	:	Green
Filling Material	:	50 – 180 mm in Diameter

AquaRockBag 8T PET

sDimensions of Filled AquaRockBag :



Structure Before Stone Filling

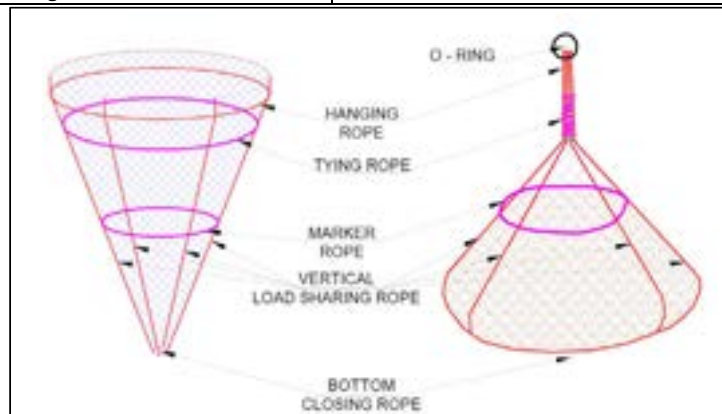


GTFL ARB/PET /Issue: 1/Rev. 01/DEC 2023



AquaRockBag-1T HDPE Data Sheet

Specifications	Filled Dimensions	1.60 m (D) x 0.30 m (H)
	Form	Bag Form with Double Layer Net
	Net Material	Virgin HDPE (Black)
	Net Composition	540 D X 44 ply knotless
	Mesh Size	25 mm square mesh
	Hanging Rope	10 mm Polyester Twisted 3Strand Black Rope
	Tying Rope	6 mm Polyester Twisted 3Strand Black Rope
	Marker Rope	12 x 3 PPMF White Twine
	Vertical Load Sharing Rope	6 mm Polyester Twisted 3Strand Black Rope
	Bottom Closing Rope	10 mm Polyester Twisted 3Strand Black Rope
Strength Characteristics	Net	Tensile Strength: As per EN ISO 10319 / ASTM D4595 MD: >25 kN/m CMD: >8.5 kN/m Elongation: As per EN ISO 10319 / ASTM D4595 MD and CMD: >15% & >75% respectively
	Hanging Rope	10 mm Polyester Twisted 3Strand Black Rope Tensile Strength: > 14.4 kN Elongation: > 10 %
	Tying Rope	6 mm Polyester Twisted 3Strand Black Rope Tensile Strength: > 5.4 kN Elongation: > 10 %
	Vertical Load Sharing Rope	6 mm Polyester Twisted 3Strand Black Rope Tensile Strength: > 5.4 kN Elongation: > 10 %
	Bottom Closing Rope	10 mm Polyester Twisted 3Strand Black Rope Tensile Strength: > 14.4 kN Elongation: > 10 %
	O-Ring	Working Load: 9.8 kN Breaking Strength: >39.2 kN
Filling	Fill Aggregates	Rounded to Sub-Rounded Cobbles, Pebbles and Boulders (50 mm – 180 mm)
	Volume	0.65 m ³
	Weight	1.0 T



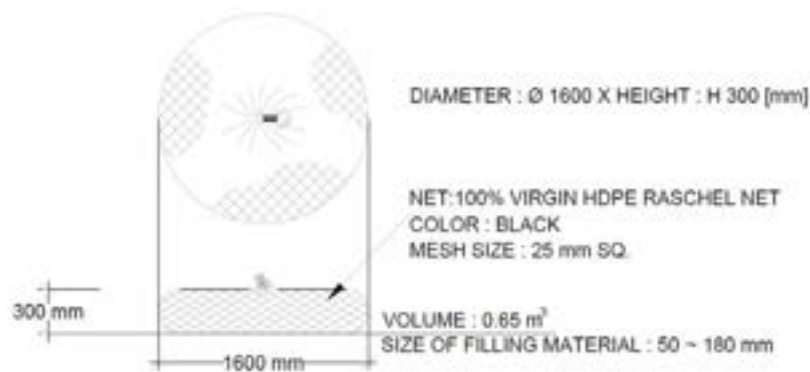


GENERAL STRUCTURE

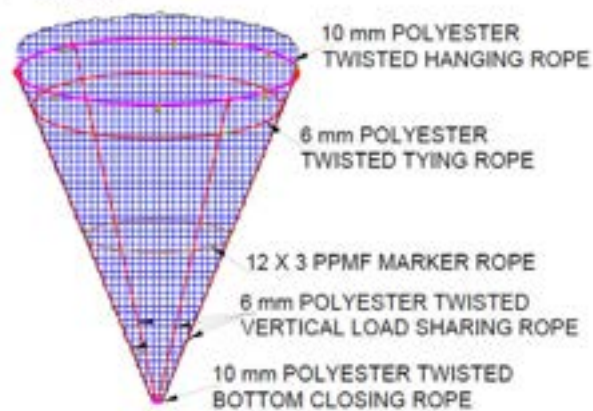
Type	:	1 Ton
Material	:	100% Virgin HDPE
Net	:	Raschel Net / 25 mm Square Mesh
Tensile Strength	:	As per EN ISO 10319 / ASTM D4595
(Single Net)		MD: >25 kN/m
		CMD: >8.5 kN/m
Colour	:	Black
Filling Material	:	50 – 180 mm in Diameter

AquaRockBag 1T HDPE

Dimensions of Filled AquaRockBag :



Structure Before Stone Filling

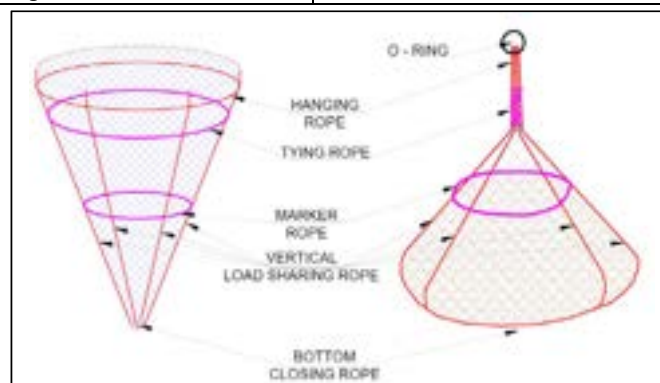


GTFL ARB/HDPE /Issue: 1/Rev. 01/DEC 2023



AquaRockBag-2T HDPE Data Sheet

Specifications	Filled Dimensions	2.1 m (D) x 0.4 m (H)
	Form	Bag Form with Double Layer Net
	Net Material	Virgin HDPE (Black)
	Net Composition	540 D X 44 ply knotless
	Mesh Size	25 mm square mesh
	Hanging Rope	10 mm Polyester Twisted 3Strand Black Rope
	Tying Rope	6 mm Polyester Twisted 3Strand Black Rope
	Marker Rope	12 x 3 PPMF White Twine
	Vertical Load Sharing Rope	6 mm Polyester Twisted 3Strand Black Rope
	Bottom Closing Rope	10 mm Polyester Twisted 3Strand Black Rope
Strength Characteristics	Net	Tensile Strength: As per EN ISO 10319 / ASTM D4595 MD: >25 kN/m CMD: >8.5 kN/m Elongation: As per EN ISO 10319 / ASTM D4595 MD and CMD: >15 % & >75% respectively
	Hanging Rope	10 mm Polyester Twisted 3Strand Black Rope Tensile Strength: > 14.4 kN Elongation: > 10 %
	Tying Rope	6 mm Polyester Twisted 3Strand Black Rope Tensile Strength: > 5.4 kN Elongation: > 10 %
	Vertical Load Sharing Rope	6 mm Polyester Twisted 3Strand Black Rope Tensile Strength: > 5.4 kN Elongation: > 10 %
	Bottom Closing Rope	10 mm Polyester Twisted 3Strand Black Rope Tensile Strength: > 14.4 kN Elongation: > 10 %
	O-Ring	Working Load: 19.6 kN Breaking Strength: >78.4 kN
Filling	Fill Aggregates	Rounded to Sub-Rounded Cobbles, Pebbles and Boulders (50 mm – 180 mm)
	Volume	1.25 m ³
	Weight	2.0 T



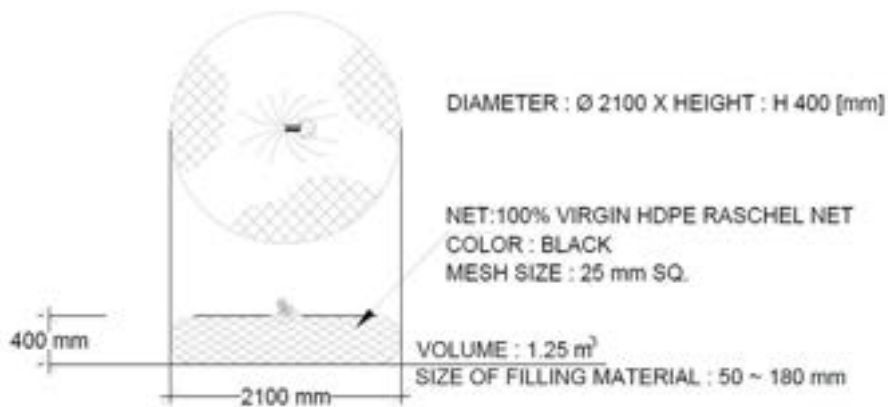


GENERAL STRUCTURE

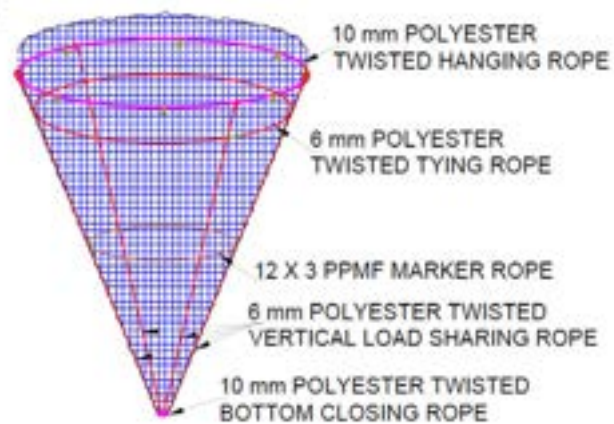
Type	:	2 Tons
Material	:	100% Virgin HDPE
Net	:	Raschel Net/ 25 mm Square Mesh
Tensile Strength	:	As per EN ISO 10319 / ASTM D4595
(Single Net)		MD: >25 kN/m
		CMD: >8.5 kN/m
Colour	:	Black
Filling Material	:	50 – 180 mm in Diameter

AquaRockBag 2T HDPE

Dimensions of Filled AquaRockBag :



Structure Before Stone Filling

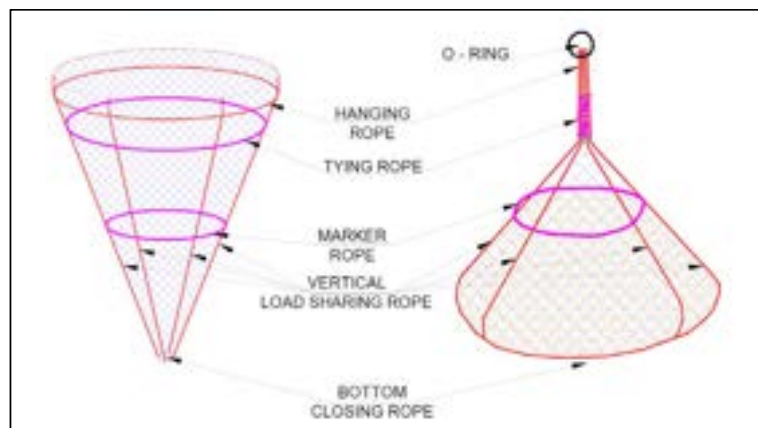


GTFL ARB/HDPE /Issue: 1/Rev. 01/DEC 2023



AquaRockBag-4T HDPE Data Sheet

Specifications	Filled Dimensions	2.5 m (D) x 0.5 m (H)
	Form	Bag Form with Double Layer Net
	Net Material	Virgin HDPE (Black)
	Net Composition	540 D x 52 ply knotless
	Mesh Size	25 mm square mesh
	Hanging Rope	12 mm Polyester Twisted 3Strand Black Rope
	Tying Rope	6 mm Polyester Twisted 3Strand Black Rope
	Marker Rope	12 x 3 PPMF Twine
	Vertical Load Sharing Rope	6 mm Polyester Twisted 3Strand Black Rope
	Bottom Closing Rope	10 mm Polyester Twisted 3Strand Black Rope
Strength Characteristics	Net	Tensile Strength: As per EN ISO 10319 / ASTM D4595 MD: >35 kN/m CMD: >15 kN/m Elongation: As per EN ISO 10319 / ASTM D4595 MD and CMD: >15 % & >75% respectively
	Hanging Rope	12 mm Polyester Twisted 3Strand Black Rope Tensile Strength: > 20.2 kN Elongation: > 10 %
	Tying Rope	6 mm Polyester Twisted 3Strand Black Rope Tensile Strength: > 5.4 kN Elongation: > 10 %
	Vertical Load Sharing Rope	6 mm Polyester Twisted 3Strand Black Rope Tensile Strength: > 5.4 kN Elongation: > 10 %
	Bottom Closing Rope	10 mm Polyester Twisted 3Strand Black Rope Tensile Strength: > 14.4 kN Elongation: > 10 %
	O-Ring	Working Load: 39.2 kN Breaking Strength: >156.8 kN
Filling	Fill Aggregates	Rounded to Sub-Rounded Cobbles, Pebbles and Boulders (50 mm – 180 mm)
	Volume	2.58 m ³
	Weight	4.0 T



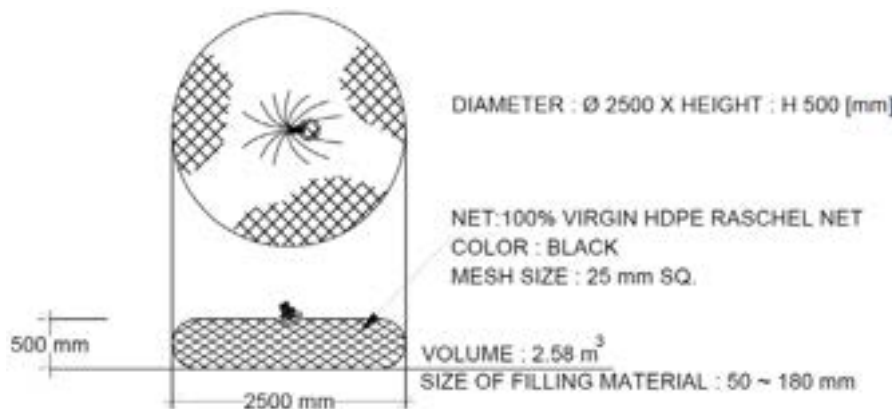


GENERAL STRUCTURE

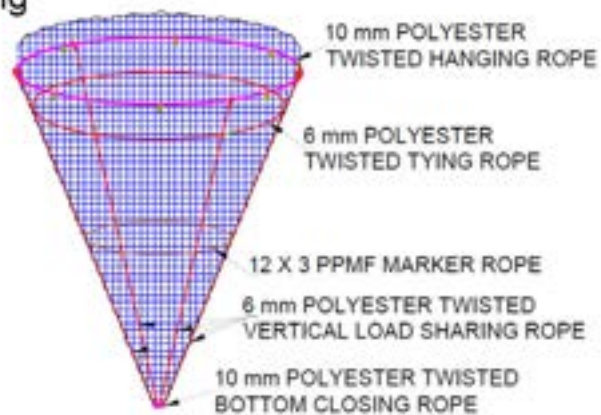
Type	:	4 Tons
Material	:	100% Virgin HDPE
Net	:	Raschel Net/ 25 mm Square Mesh
Tensile Strength	:	As per EN ISO 10319 / ASTM D4595
(Single Net)		MD: >35 kN/m
		CMD: >15 kN/m
Colour	:	Black
Filling Material	:	50 – 180 mm in Diameter

AquaRockBag 4T HDPE

Dimensions of Filled AquaRockBag :



Structure Before Stone Filling

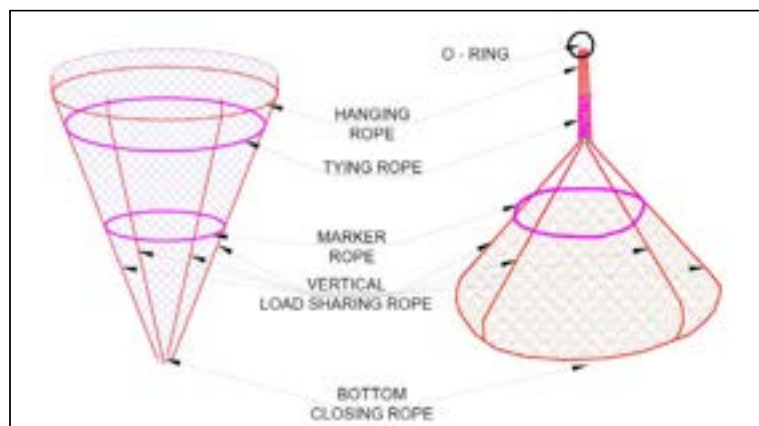


GTFL ARB/HDPE /Issue: 1/Rev. 01/DEC 2023



AquaRockBag-8T HDPE Data Sheet

Specifications	Filled Dimensions	3.5 m (D) x 0.7 m (H)
	Form	Bag Form with Quadruple Layer Net
	Net Material	Virgin HDPE (Black)
	Net Composition	540 D x 62 ply knotless
	Mesh Size	50 mm square mesh
	Hanging Rope	14 mm X2 Ultra 3Strand Twisted Rope
	Tying Rope	10 mm X2 Ultra 3Strand Twisted Rope
	Marker Rope	12 x 3 PPMF Twine
	Vertical Load Sharing Rope	10 mm X2 Ultra 3Strand Twisted Rope
	Bottom Closing Rope	14 mm X2 Ultra 3Strand Twisted Rope
Strength Characteristics	Net	Tensile Strength: As per EN ISO 10319 / ASTM D4595 MD: >38 kN/m CMD: >15 kN/m Elongation: As per EN ISO 10319 / ASTM D4595 MD and CMD: >15 % and >75 % respectively
	Hanging Rope	14 mm X2 Ultra 3Strand Twisted Rope Tensile Strength: > 35 kN Elongation: > 10 %
	Tying Rope	10 mm X2 Ultra 3Strand Twisted Rope Tensile Strength: > 18 kN Elongation: > 10 %
	Vertical Load Sharing Rope	10 mm X2 Ultra 3Strand Twisted Rope Tensile Strength: > 18 kN Elongation: > 10 %
	Bottom Closing Rope	14 mm X2 Ultra 3Strand Twisted Rope Tensile Strength: > 35 kN Elongation: > 10 %
	O-Ring	Working Load: 78.4 kN Breaking Strength: >285.5 kN
Filling	Fill Aggregates	Rounded to Sub-Rounded Cobbles, Pebbles and Boulders (50 mm – 180 mm)
	Volume	5.00 m ³
	Weight	8.0 T



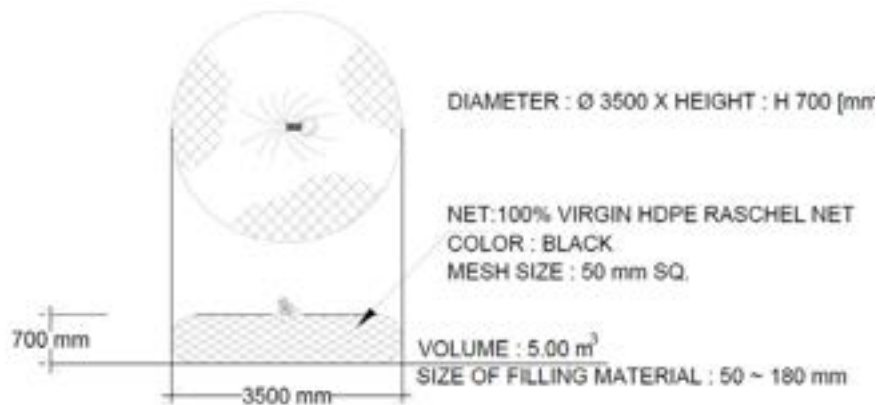


GENERAL STRUCTURE

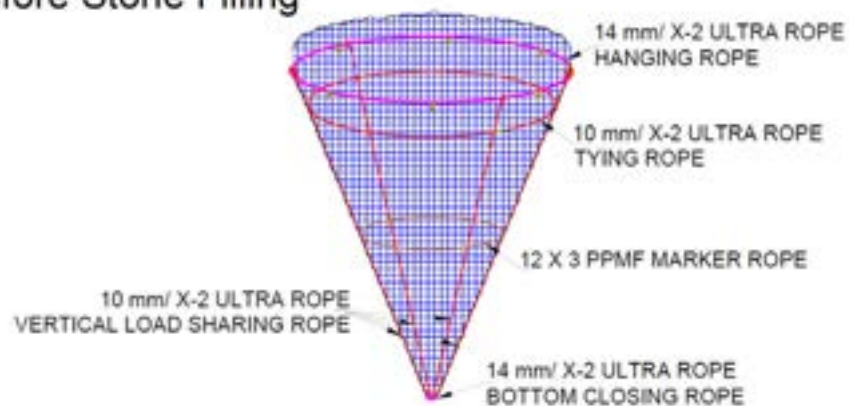
Type	:	8 Tons
Material	:	100% Virgin HDPE
Net	:	Raschel Net/ 50 mm Square Mesh
Tensile Strength	:	As per EN ISO 10319 / ASTM D4595
(Single Net)		MD: >35 kN/m
		CMD: >15 kN/m
Colour	:	Black
Filling Material	:	50 – 180 mm in Diameter

AquaRockBag 8T HDPE

Dimensions of Filled AquaRockBag :



Structure Before Stone Filling

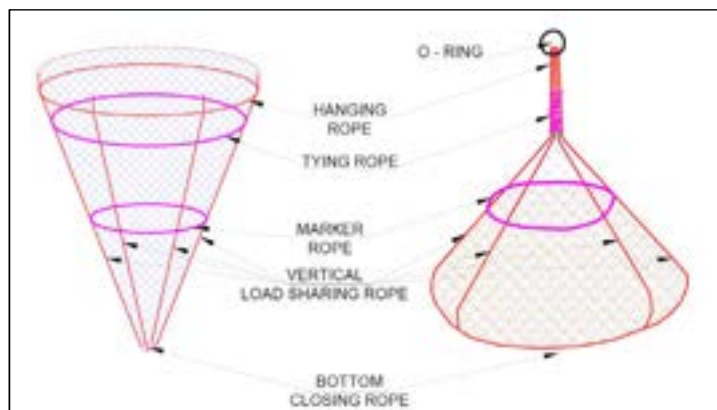


GTFL ARB/HDPE /Issue: 1/Rev. 01/DEC 2023



AquaRockBag-12T HDPE Data Sheet

Specifications	Filled Dimensions	4.0 m (D) x 0.73 m (H)
	Form	Bag Form with Quadruple Layer Net
	Net Material	Virgin HDPE (Black)
	Net Composition	540 D x 88 ply knotless
	Mesh Size	50 mm square mesh
	Hanging Rope	18 mm X2 Ultra 3Strand Twisted Rope
	Tying Rope	10 mm X2 Ultra 3Strand Twisted Rope
	Marker Rope	12 x 3 PPMF Twine
	Vertical Load Sharing Rope	14 mm X2 Ultra 3Strand Twisted Rope
	Bottom Closing Rope	10 mm X2 Ultra 3Strand Twisted Rope
Strength Characteristics	Net	Tensile Strength: As per EN ISO 10319 / ASTM D4595 MD: >40 kN/m CMD: >20 kN/m Elongation: As per EN ISO 10319 / ASTM D4595 MD and CMD: >15 % & >75 % respectively
	Hanging Rope	18 mm X2 Ultra 3Strand Twisted Rope Tensile Strength: > 60 kN Elongation: > 10 %
	Tying Rope	10 mm X2 Ultra 3Strand Twisted Rope Tensile Strength: > 18 kN Elongation: > 10 %
	Vertical Load Sharing Rope	14 mm X2 Ultra 3Strand Twisted Rope Tensile Strength: > 35 kN Elongation: > 10 %
	Bottom Closing Rope	14 mm X2 Ultra 3Strand Twisted Rope Tensile Strength: > 35 kN Elongation: > 10 %
	O-Ring	Working Load: 117.6 kN Breaking Strength: >285.5 kN
Filling	Fill Aggregates	Rounded to Sub-Rounded Cobbles, Pebbles and Boulders (50 mm – 180 mm)
	Volume	7.50 m ³
	Weight	12.0 T



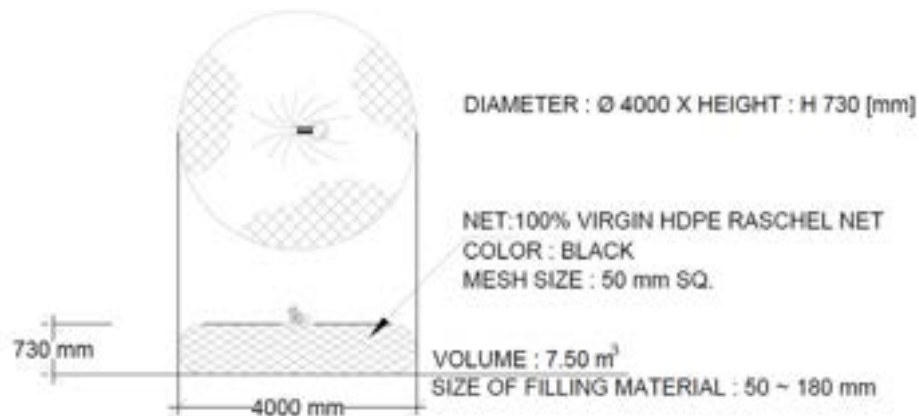


GENERAL STRUCTURE

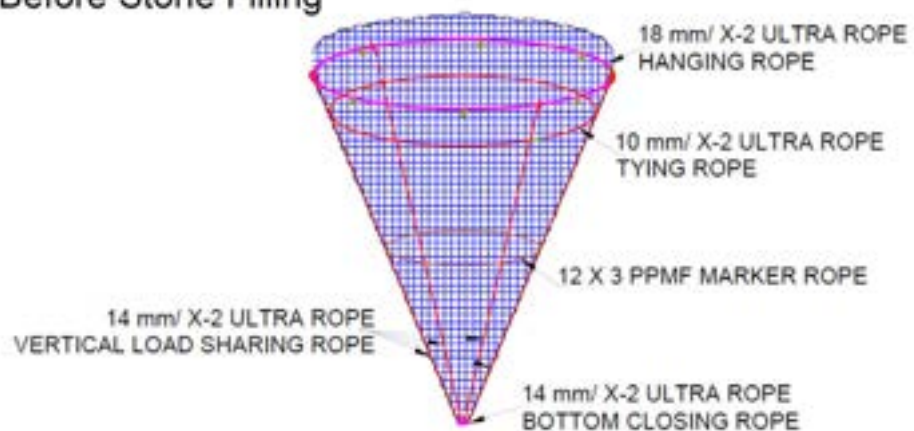
Type	:	12 Tons
Material	:	100% Virgin HDPE
Net	:	Raschel Net/ 50 mm Square Mesh
Tensile Strength	:	As per EN ISO 10319 / ASTM D4595
(Single Net)		MD: >40 kN/m
		CMD: >20 kN/m
Colour	:	Black
Filling Material	:	50 – 180 mm in Diameter

AquaRockBag 12T HDPE

Dimensions of Filled AquaRockBag:



Structure Before Stone Filling

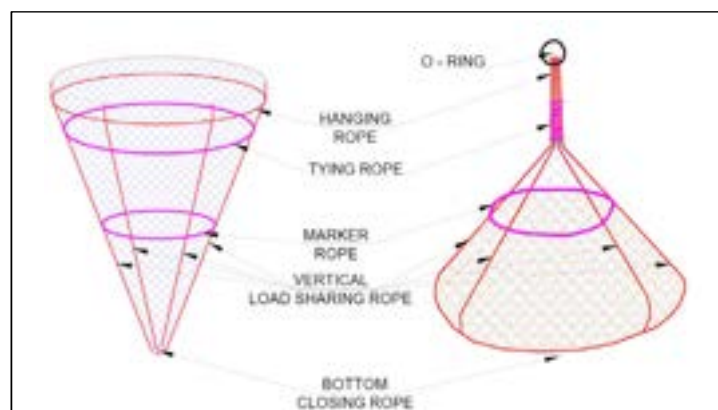


GTFL ARB/HDPE /Issue: 1/Rev. 00/DEC 2023



AquaRockBag-14T HDPE Data Sheet

Specifications	Filled Dimensions	4.3 m (D) x 0.76 m (H)
	Form	Bag Form with Quadruple Layer Net
	Net Material	Virgin HDPE (Black)
	Net Composition	540 D x 88 ply knotless
	Mesh Size	50 mm square mesh
	Hanging Rope	18 mm X2 Ultra 3Strand Twisted Rope
	Tying Rope	10 mm X2 Ultra 3Strand Twisted Rope
	Marker Rope	12 x 3 PPMF Twine
	Vertical Load Sharing Rope	14 mm X2 Ultra 3Strand Twisted Rope
	Bottom Closing Rope	10 mm X2 Ultra 3Strand Twisted Rope
Strength Characteristics	Net	Tensile Strength: As per EN ISO 10319 / ASTM D4595 MD: >40 kN/m CMD: >20 kN/m Elongation: As per EN ISO 10319 / ASTM D4595 MD and CMD: >15 % & >75 % respectively
	Hanging Rope	18 mm X2 Ultra 3Strand Twisted Rope Tensile Strength: > 60 kN Elongation: > 10 %
	Tying Rope	10 mm X2 Ultra 3Strand Twisted Rope Tensile Strength: > 18 kN Elongation: > 10 %
	Vertical Load Sharing Rope	14 mm X2 Ultra 3Strand Twisted Rope Tensile Strength: > 35 kN Elongation: > 10 %
	Bottom Closing Rope	14 mm X2 Ultra 3Strand Twisted Rope Tensile Strength: > 35 kN Elongation: > 10 %
	O-Ring	Working Load: 137.2 kN Breaking Strength: >285.5 kN
Filling	Fill Aggregates	Rounded to Sub-Rounded Cobbles, Pebbles and Boulders (50 mm – 180 mm)
	Volume	8.82 m ³
	Weight	14.0 T



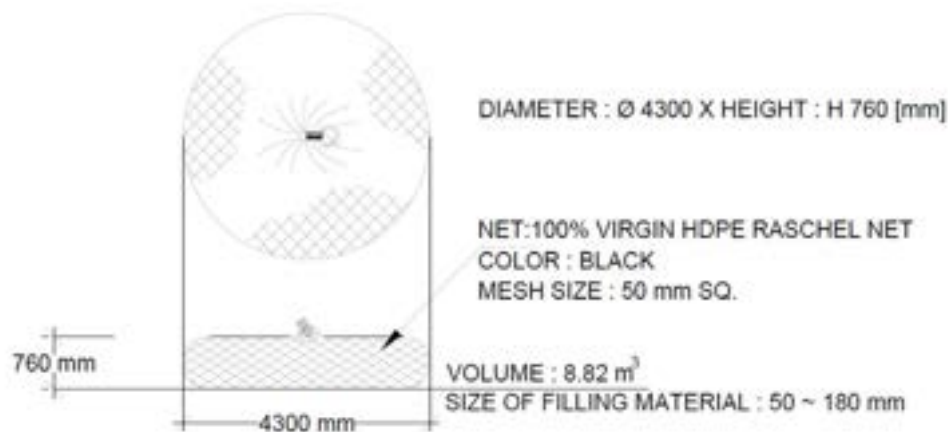


GENERAL STRUCTURE

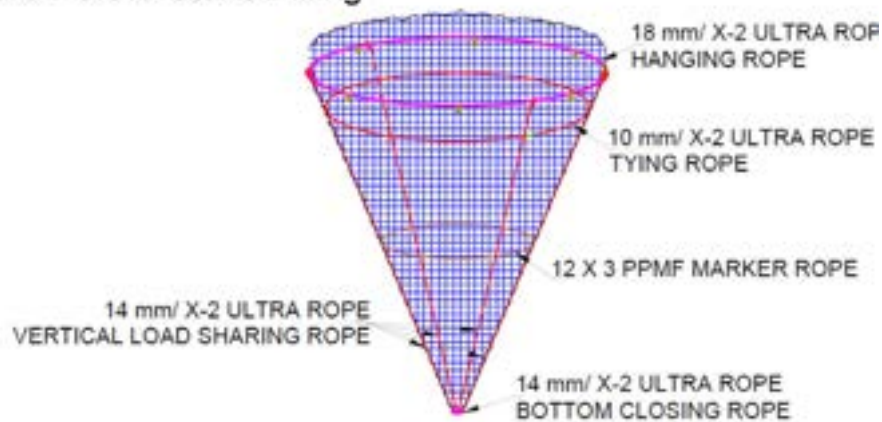
Type	:	14 Tons
Material	:	100% Virgin HDPE
Net	:	Raschel Net/ 50 mm Square Mesh
Tensile Strength	:	As per EN ISO 10319 / ASTM D4595
(Single Net)		MD: >40 kN/m
		CMD: >20 kN/m
Colour	:	Black
Filling Material	:	50 – 180 mm in Diameter

AquaRockBag 14T HDPE

Dimensions of Filled AquaRockBag:



Structure Before Stone Filling



GTFL ARB/HDPE /Issue: 1/Rev. 00/DEC 2023